

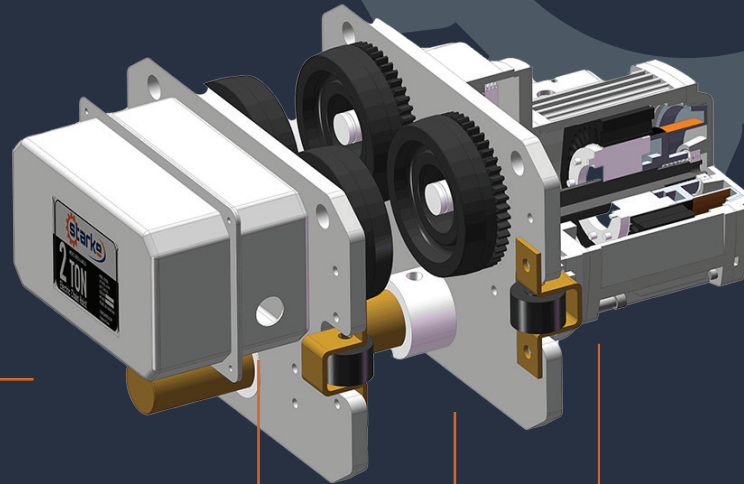
# KEY COMPONENTS

## MOTORIZED TROLLEY

Capacities: 1 Ton — 5 Ton

Flange Widths: 4" — 16"

- ⚙️ **Electromagnetic Holding Brake**  
Ensures the load does not move when the trolley is not under power



- ⚙️ **Side guide rollers for smooth travel**

- ⚙️ **Easy plug-and-play pendant controls**

- ⚙️ **VFD Controls**  
Smooth Start & Stop with 2 Speed Operation  
Programmable up to 82 FPM

- ⚙️ **Clevis mount available for accommodating other hoist brands**

Load tested to 125%  
of the rated capacity